

ERM module in Koha

Jonathan Field
Managing Director
PTFS Europe Limited (UK)



Background

- Historically held in paper files, Excel spreadsheets and Access databases!
- Coral/CUFTS - lack of integration
- Project sponsored by PTFS Europe/ByWater Solutions/Biblibre
- Developed by Jonathan Druart
- Turns Koha from an LMS/ILS to a proper LSP (Library Services Platform)
- Most libraries now have at least some e-resources
- MVP added to 22.11



Core functionality (22.11)

- Agreements (including “related” agreements and agreements lines)
- Licences - including the storage of PDFs and other docs
- eHoldings - “resources” - what electronic materials do we hold
 - Integration with EDS HLM (via HoldingsIQ) - bi-directional API that allows you to update or read from EBSCO’s KB of millions of titles
 - Local sources - manually create eHoldings records
- First use of Vue.js (JavaScript Framework) in Koha



Let's take a look

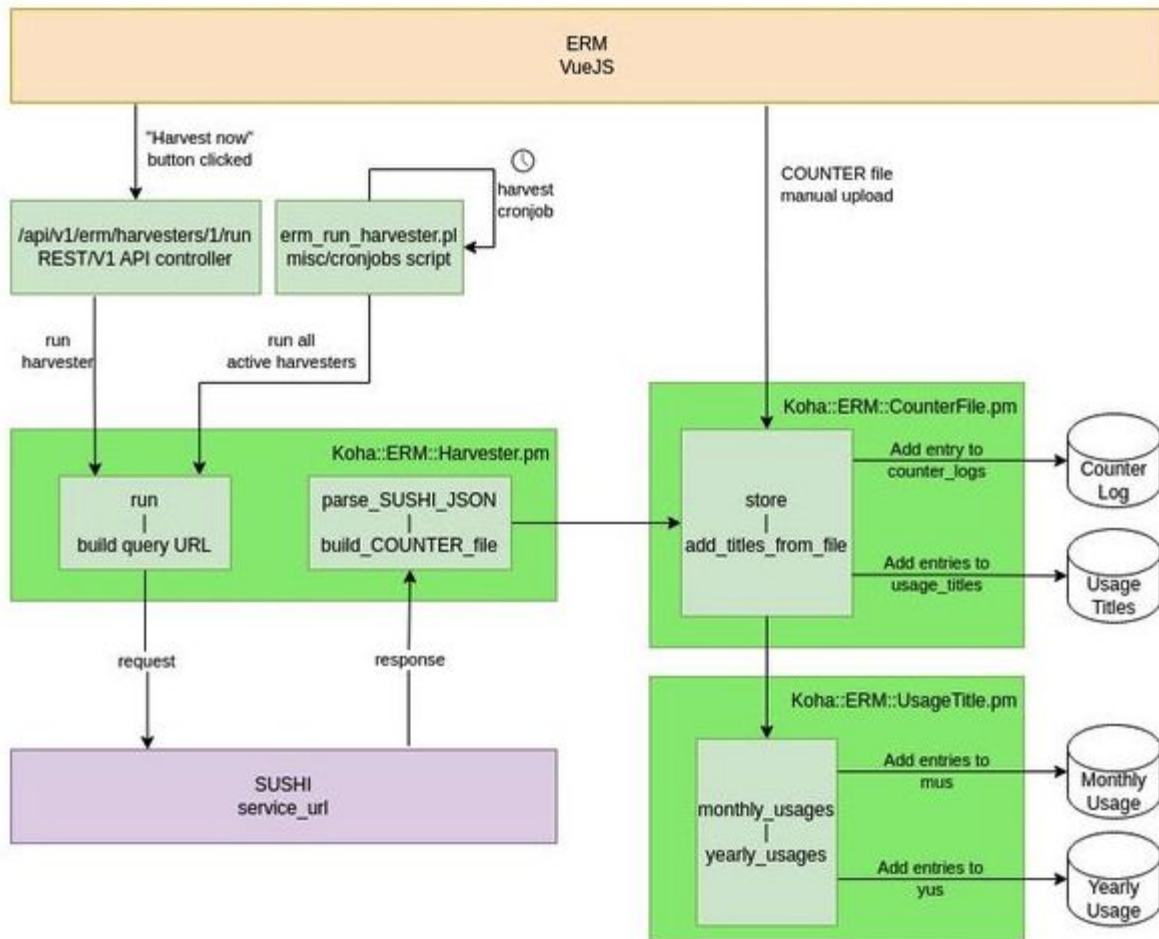
ERM Demo system



What do we do next?

- Cleaning up code
- Fixing a few bugs
- Some links into Acquisitions
- Adding more granular permissions for ERM (Bug [32968](#))
- Add help link to [ERM manual](#)
- Usage Statistics
 - Usage providers
 - SUSHI Harvester
 - Storage of COUNTER files
 - Statistics on monthly and yearly usage (using COUNTER 5)
 - Add a reporting interface for usage statistics





E-resource management

- Agreements
- Licenses
- eHoldings
- Local
 - Packages
 - Titles
- eUsage
 - Data providers**
 - Reports

+ New data provider

Showing 1 to 1 of 1 entries

Show 20 entries << First < Previous Next > Last >> Search: Clear filter Columns Export Configure

Name	Description	Actions
<input type="text" value="Name search"/>	<input type="text" value="Description search"/>	
Test provider (#2)	A test provider for demo purposes	<input type="button" value="Run now"/> <input type="button" value="Edit"/> <input type="button" value="Delete"/>

Showing 1 to 1 of 1 entries << First < Previous Next > Last >>

E-resource management

- Agreements
- Licenses
- eHoldings
 - Local
 - Packages
 - Titles
- eUsage
 - Data providers
 - Reports

Data provider #2

- Detail
- Titles
- Manual upload
- Import logs

Data provider

Data provider name: Test provider

Description: A test provider for demo purposes

Status: Active

Service Type: test_service_type

Harvest Start: 2022-01-01

Harvest End: 2023-06-01

Report types:

Sushi credentials

Service URL: www.test-url.com

Report Release: test_report_release

Customer Id: 11111

Requestor Id: 22222

API Key:

Requestor Name: test_requestor_name

Requestor Email: test_requestor_email

Close

Harvester status: Active

Service type: test_service_type

Harvest start date: 01/01/2022

Harvest end date: 06/01/2023

Requestor name: test_requestor_name

Requestor email: test_requestor_email

Report types: TR_J1 - Journal requests (excluding OA_Gold) X Required

Sushi credentials

Service URL: DR_D1 - Database search and item usage Required

Report release: DR_D2 - Database access denied Required

Customer Id: TR - Title master report Required

Requestor Id: TR_B1 - Book requests (excluding OA_Gold) Required

API key: TR_B2 - Book access denied Required

Requestor: TR_B3 - Book usage by access type Required

TR_J1 - Journal requests (excluding OA_Gold)

Agreement search

Enter search keywords

Search agreements

Search packages

Search titles

E-resource management > eUsage > DataProviders > Show data provider

E-resource management

- Agreements
- Licenses
- eHoldings
- Local
- Packages
- Titles
- eUsage
 - Data providers
 - Reports

Data provider #2

- Detail
- Titles
- Manual upload
- Import logs

Showing 1 to 20 of 1,294 entries

Show 20 entries << First < Previous Next > Last >> Search: Clear filter Columns Export Configure

Title	DOI	Print ISSN	Online ISSN	URI
<input type="text" value="Title search"/>	<input type="text" value="DOI search"/>	<input type="text" value="Print ISSN search"/>	<input type="text" value="Online ISSN search"/>	<input type="text" value="URI search"/>
Abacus	10.1111/(ISSN)1467-6281	0001-3072	1467-6281	
Academic Emergency Medicine	10.1111/(ISSN)1553-2712	1069-6563	1553-2712	
Accounting & Finance	10.1111/(ISSN)1467-629X	0810-5391	1467-629X	
Accounting Perspectives	10.1111/(ISSN)1911-3838	1911-382X	1911-3838	
Acta Anaesthesiologica Scandinavica	10.1111/(ISSN)1399-6576	0001-5172	1399-6576	
Acta Neurologica Scandinavica	10.1111/(ISSN)1600-0404	0001-6314	1600-0404	
Acta Obstetrica et Gynecologica Scandinavica	10.1111/(ISSN)1600-0412	0001-6349	1600-0412	
Acta Ophthalmologica	10.1111/(ISSN)1755-3768	1755-375X	1755-3768	
Acta Paediatrica	10.1111/(ISSN)1651-2227	0803-5253	1651-2227	
Acta Physiologica	10.1111/(ISSN)1748-1716	1748-1708	1748-1716	
Acta Psychiatrica Scandinavica	10.1111/(ISSN)1600-0447	0001-690X	1600-0447	
Addiction	10.1111/(ISSN)1360-0443	0965-2140	1360-0443	
Addiction Biology	10.1111/(ISSN)1369-1600	1355-6215	1369-1600	
Adultspan Journal	10.1002/(ISSN)2161-0029	1524-6817	2161-0029	
Advanced Electronic Materials	10.1002/(ISSN)2199-160X	2199-160X	2199-160X	
Advanced Energy Materials	10.1002/(ISSN)1614-6840	1614-6832	1614-6840	

E-resource management

- Agreements
- Licenses
- eHoldings
 - Local
 - Packages
 - Titles
- eUsage
 - Data providers
 - Reports

Data provider #2

- Detail
- Titles
- Manual upload
- Import logs

Manual import:

File:

Select a file

Choose file No file chosen

Report type:

Submit Clear form

Close

E-resource management

- Agreements
- Licenses
- eHoldings
- Local
 - Packages
 - Titles
- eUsage
 - Data providers**
 - Reports

+ New data provider

Showing 1 to 1 of 1 entries

Show 20 entries << First < Previous Next > Last >> Search: Clear filter Columns Export Configure

Name	Description	Actions
<input type="text" value="Name search"/>	<input type="text" value="Description search"/>	
Test provider (#2)	A test provider for demo purposes	<input type="button" value="Run now"/> <input type="button" value="Edit"/> <input type="button" value="Delete"/>

Showing 1 to 1 of 1 entries << First < Previous Next > Last >>



+ New data provider

Showing 1 to 1 of 1 entries

Show 20 entries << First < Previous 1 Next > Last >>

Are you sure you want to run the harvester for this data provider?

data provider name

✓ Yes, run

✗ No, do not run

Run now

Name	Description	
data provider name (#1)	data provider description	Run now

Showing 1 to 1 of 1 entries << First < Previous 1 Next > Last >>

E-resource management

- Agreements
- Licenses
- eHoldings
 - Local
 - Packages
 - Titles
- eUsage
 - Data providers
 - Reports**

Usage Statistics Reports

Build custom report

Monthly or yearly totals?: Monthly

Choose data provider:

Choose report:

Start year:

End year:

Start month:

End month:

Title:

Submit

Select default report

Choose report:

Submit

- E-resource management**
- Agreements
- Licenses
- eHoldings
- Local
- Packages
- Titles
- eUsage**
- Data providers
- Reports**

Showing 1 to 20 of 1,294 entries

Show 20 entries « First < Previous Next > Last » Search: ✖ Clear filter ⚙ Columns ⬇ Export ⚙ Configure

Title	Data provider	Year	Jan	Feb	Mar	Apr	May	Jun	Jul	Aug	Sept	Oct	Nov	Dec	Metric
<input type="text" value="Title search"/>	<input type="text" value="Data provi"/>	<input type="text" value="Year se"/>	<input type="text" value="Jan se"/>	<input type="text" value="Feb se"/>	<input type="text" value="Mar se"/>	<input type="text" value="Apr se"/>	<input type="text" value="May se"/>	<input type="text" value="Jun se"/>	<input type="text" value="Jul se"/>	<input type="text" value="Aug se"/>	<input type="text" value="Sept se"/>	<input type="text" value="Oct se"/>	<input type="text" value="Nov se"/>	<input type="text" value="Dec se"/>	<input type="text" value="Metric search"/>
Abacus	Test provider	2022	3	3	7	0	2	0	1	0	0	0	11	6	Total_Item_Requests
Academic Emergency Medicine	Test provider	2023	18	17	11	13	21	20	28	16	6	11	2	4	Total_Item_Requests
Accounting & Finance	Test provider	2022	2	4	4	13	8	1	0	2	2	1	9	6	Total_Item_Requests
Accounting Perspectives	Test provider	2023	3	1	2	1	3	0	1	0	0	0	0	0	Total_Item_Requests
Acta Anaesthesiologica Scandinavica	Test provider	2022	29	20	19	5	15	4	19	6	5	6	4	0	Total_Item_Requests
Acta Neurologica Scandinavica	Test provider	2022	2	1	2	0	5	0	1	1	0	2	2	0	Total_Item_Requests
Acta Obstetricia et Gynecologica Scandinavica	Test provider	2022	1	0	0	0	0	0	0	0	0	0	0	0	Total_Item_Requests
Acta Ophthalmologica	Test provider	2022	0	0	0	0	0	1	0	1	0	0	0	0	Total_Item_Requests
Acta Paediatrica	Test provider	2022	23	26	14	12	8	45	22	6	10	8	3	9	Total_Item_Requests
Acta Physiologica	Test provider	2022	2	1	0	1	1	8	0	0	0	0	0	0	Total_Item_Requests
Acta Psychiatrica Scandinavica	Test provider	2022	5	9	28	28	15	18	4	1	2	4	13	14	Total_Item_Requests
Addiction	Test	2022	50	10	28	74	46	15	20	14	1	27	24	18	Total_Item_Requests

Add Vendor Interfaces

Positions > Askews

+ New Edit vendor Delete vendor

Askews

Vendor details

Type:
Company name: Askews
Postal address:
Physical address:
Phone:
Fax:

Contact

Position:
Phone:
Alternative phone:
Fax:

Ordering information

Vendor is: Active
List prices are: USD
Invoice prices are: USD
Discount: %
Tax rate: 0 %

Subscription details

Number of subscriptions: 0

Interfaces

Askew Support Portal

URI: <https://example.com>
Login: admin
Password: [Show](#)
Account email: jonathan.field@ptfs-europe.com

Add [Link to Licences](#) in Vendor record

- Baskets
- Basket groups
- Contracts
- Invoices
- Uncertain prices
- Licenses**

[+ New](#) [Edit vendor](#) [Delete vendor](#)

Oxford University Press

Vendor details

Type:
Company name: Oxford University Press
Postal address:
Physical address:
Phone:
Fax:

Contact

Position:
Phone:
Alternative phone:
Fax:

Subscription d

Number of subscrip

Ordering information

Vendor is: Active
List prices are: USD
Invoice prices are: USD
Discount: %
Tax rate: 0 %



E-resource management

- Agreements
- Licenses**
- eHoldings
 - Local
 - Packages**
 - Titles

+ New license

Showing 1 to 1 of 1 entries (filtered from 4 total entries)

Show 20 entries << First < Previous Next > Last >> Search: X Clear filter

Name	Vendor	Description	Type	Status
<input type="text" value="Name search"/>	<input type="text" value="Oxford University Press"/>	<input type="text" value="Description search"/>	<input type="text" value=""/>	<input type="text" value=""/>
OUP (#4)	Oxford University Press	Oxford	alliance	active

Showing 1 to 1 of 1 entries (filtered from 4 total entries) << First < Previous Next > Last >>

New ERM Permissions

The screenshot shows the top navigation bar with 'Patrons', 'Search', 'More', and a shopping cart icon. Below it is a search bar with the text 'Agreement search' and 'Enter search keywords'. The breadcrumb navigation shows a home icon followed by 'E-resource management'. A large grey box highlights the 'E-resource management' section, with a sub-section for 'Licenses' indicated by a mouse cursor icon.

recalls (recalls)

Manage the electronic resources module (erm)

[Hide details](#)

Create, edit and delete licenses (erm_licensing)

Create, edit and delete all ERM related content (erm_admin)

Create, edit and delete agreements. Grants read-only access to licenses and eHoldings (erm_agreement)

Create, edit and delete EHoldings local titles and local packages. Grants read-only access to agreements (erm_eholdings)

Read-only access for all ERM related content (erm_show)

What could it still do?

- Workflow/task management (like Coral)
- Support for other KBs, e.g. GOKb, KB+ (JISC), Swedish Open Access Journals?
- Allocate licence “seats”
- A-Z Journal listing (like Publication Finder) in OPAC
- ?



ERM module in Koha

Jonathan Field
PTFS Europe Limited (UK)

